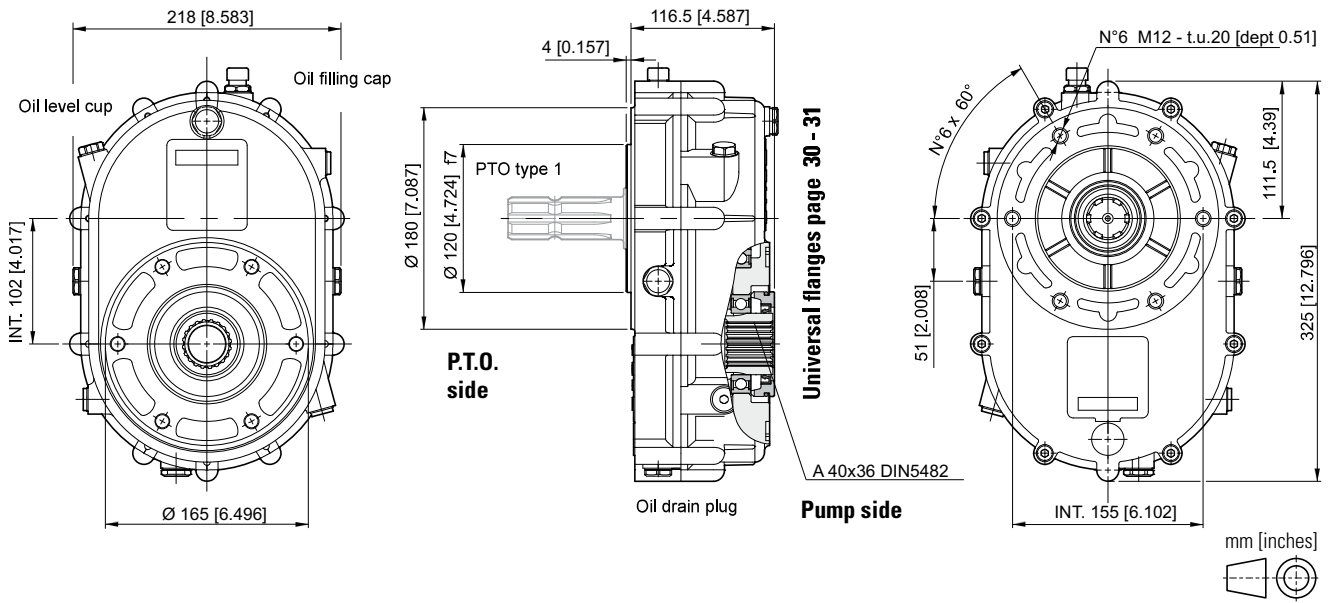
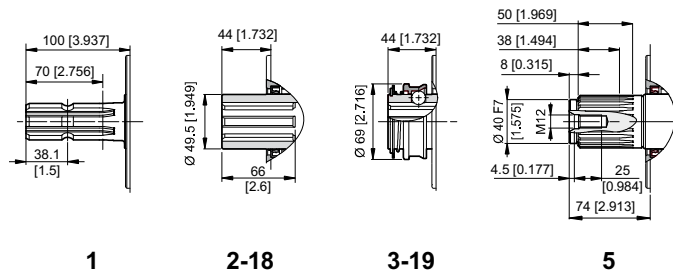


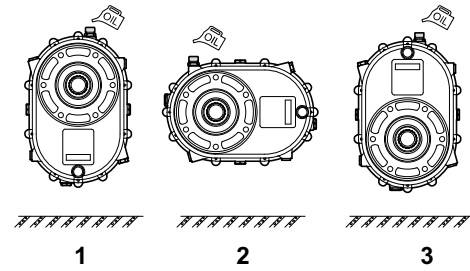
SPEED INCREASER GEARBOX FOR PUMPS WITH EUROPEAN UNIFIED FLANGE / SAE / ISO



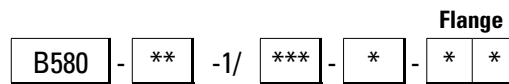
P.T.O.



Mounting positions



ORDERING CODE



B580 = Speed increaser (aluminium body)

P.T.O.

- 1** = Male 1" 3/8 DIN 9611
- 2** = Female 1" 3/8 DIN 9611
- 3** = Female 1" 3/8 DIN 9611 + tightening
- 5** = Male Z23 DIN 5482
- 18** = Female z21 - 16/32 DIN 9611
- 19** = Female z21 - 16/32 DIN 9611 + tightening

Coupling for pump to be required to our sales department.

Type
(see page 30 - 31)

Type	Flange position	
	1	2
D / G		
E / F		
A / B / C / L / M	—	

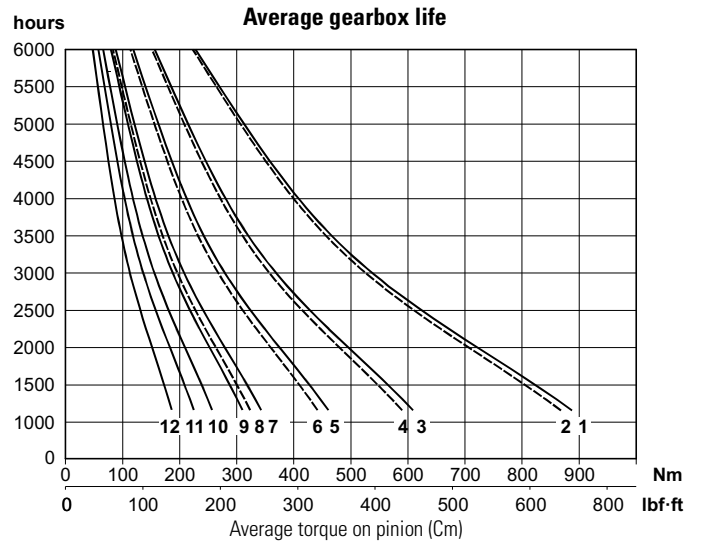
Mounting positions
1 / 2 / 3

Transmission ratio

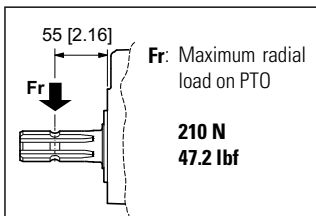
- 1** = 1 : 1.0
- 1,5** = 1 : 1.5
- 2** = 1 : 2.0
- 2,6** = 1 : 2.6
- 3** = 1 : 3.0
- 3,4** = 1 : 3.4
- 4** = 1 : 4.0
- 4,8** = 1 : 4.8

TECHNICAL DATA

Transmission ratio	Maximum torque Nm [lbf-ft]				Weight kg [lb]
	540 rpm		1000 rpm		
	C1*	C2*	C1*	C2*	
1 : 1.0	885 [655]	466 [344]	866 [639]	456 [336]	12 [26.5]
1 : 1.5	608 [448]	320 [236]	589 [434]	310 [229]	12 [26.5]
1 : 2.0	460 [339]	242 [178]	441 [325]	232 [171]	11 [24.3]
1 : 2.6	342 [252]	180 [133]	323 [238]	170 [125]	10,8 [23.8]
1 : 3.0	310 [228]	163 [120]	—	—	10,5 [23.1]
1 : 3.4	257 [190]	135 [100]	—	—	11,5 [25.4]
1 : 4.0	224 [165]	118 [87]	—	—	11,5 [25.4]
1 : 4.8	186 [137]	98 [72]	—	—	13,6 [30]



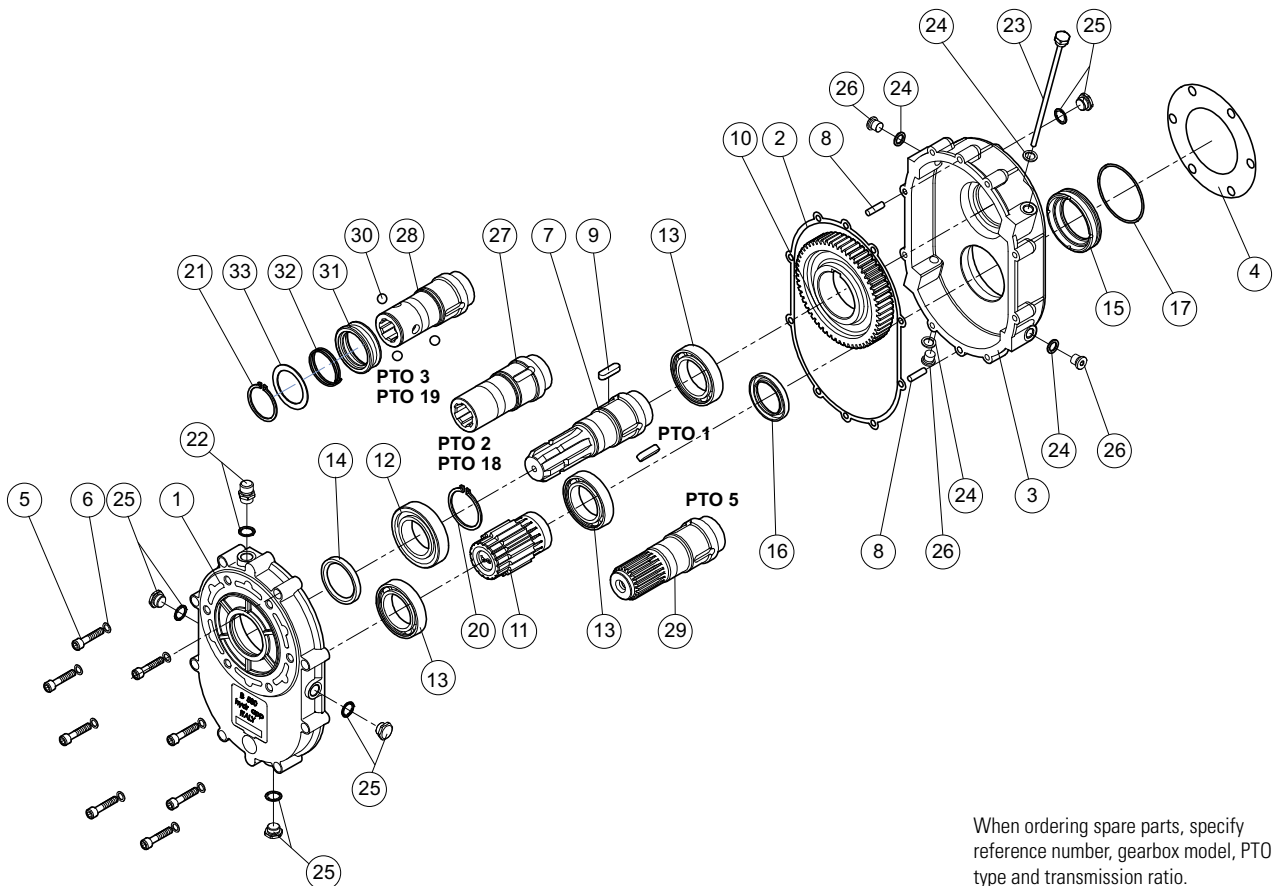
* Maximum torque on pump:
C1= maximum starting torque; C2= maximum torque for continuous duty.



Mounting positions	Oil liters [US gallon]
1	0.95 [0.25]
2	1.15 [0.30]
3	1.25 [0.33]

Input rpm		Output (transmission ratio)							
		1 : 1.0	1 : 1.5	1 : 2.0	1 : 2.6	1 : 3.0	1 : 3.4	1 : 4.0	1 : 4.8
540	curve	1	3	5	7	9	10	11	12
	rpm	540	810	1080	1408	1620	1836	2160	2592
1000	curve	2	4	6	8				
	rpm	1000	1500	2000	2607				

SPARE PARTS



When ordering spare parts, specify reference number, gearbox model, PTO type and transmission ratio.